



LX Series Networked Lighting Controls

Lighting Control Panels 4, 8, 16, 32 and 48 Relays

KEY FEATURES

- Unique handheld touch screen graphical user interface (GUI) (Order Separately)
- Robust and reliable 20 Amp mechanically latching relays
- Multiple size enclosures available (4, 8, 16, 32, and 48 relays)
- Topology-free, polarity-insensitive, 2-wire communication
- LonMark® certified
- Feature-rich scheduling functions
- 365-day time clock
- Automatic Daylight Savings Time and leap year compensation
- Built-in astronomical time clock for sunrise and sunset programming
- UL listed
- 2-year warranty



OVERVIEW

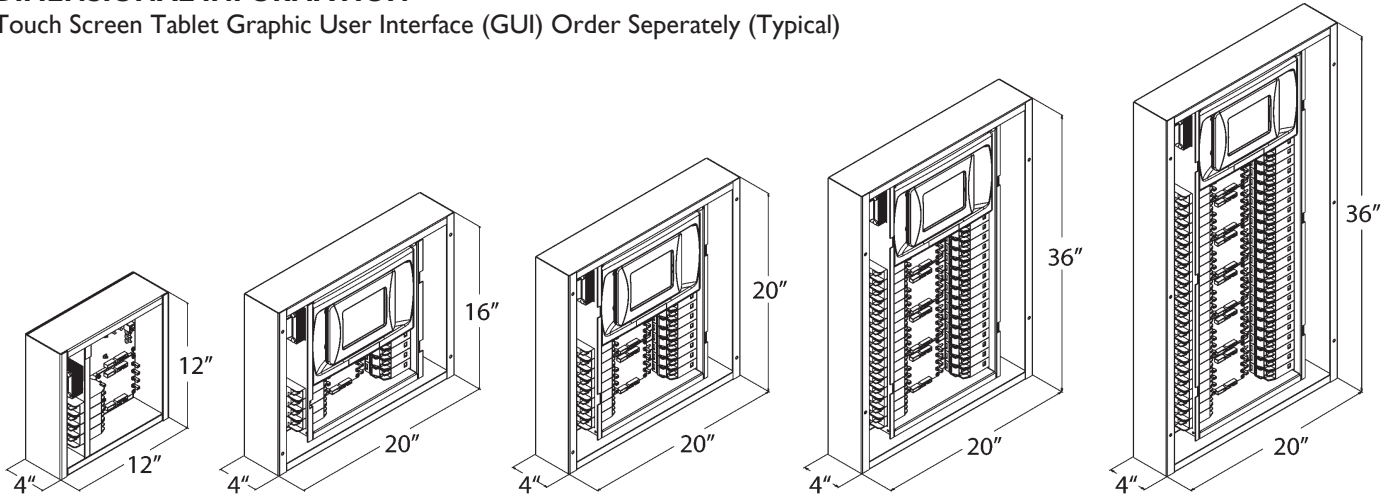
If it were any easier, it would program itself. The LX Lighting Control Panels provide the ultimate in harmony of technology and simplicity. Capable, functional lighting control systems don't have to be difficult to use or install.

FEATURES and BENEFITS

Feature	Benefits
Unique, handheld, portable touch screen tablet with graphical user interface (GUI) (Order Separately)	• Easy configuration and management of lighting control system
Robust and reliable 20 Amp mechanically latching relays	• Unmatched durability • Fully rated for control of 20 Amp lighting circuits • Control for any load type
Topology-free, polarity-insensitive, 2-wire communication	• Topology-free: connected devices can be run in virtually any topology or mixed (including Star and T configurations) • Polarity-insensitive: connected devices are <i>not</i> sensitive to polarity. This enables contractors to easily install and wire without regard to polarity • 2-wire communication: all network communications take place over an easy-to-install 2-wire network
Multiple scheduling options—normal time, astro time, open and close time, and hours of operation	• Easily created schedules for specific business needs • Quick alteration of multiple schedules with a simple edit of open and close times • Easy implementation of after-hours OFF sweeps
Automatic Daylight Savings Time adjustment (configurable)	• Automatic updates of all schedules for Daylight Savings Time changes
Astronomical time clock	• Automatic calculation of sunrise and sunset times based on date and geographical position

DIMENSIONAL INFORMATION

Touch Screen Tablet Graphic User Interface (GUI) Order Separately (Typical)



SPECIFICATIONS

Programming and configuration

- Programmable via the LX Touch Tablet or LX JENEsys™

Physical

- NEMA 1 enclosure—designed for quick and easy installation
- Pre-drilled mounting holes for easy mounting either to the uni-strut framing or directly to wall, KO's provided on top and bottom
- Removable sub panel
- 4, 8, 16, 32, and 48 relay enclosures with hinged locking door

Electrical

- 120/277/347 VAC multi-tap transformer
- 120, 277, and 347 VAC 20 Amp Single Pole Relays
- 208, 240, and 480 VAC 20 Amp Double Pole Relays

Operating environment

- Location: interior space
- Operating temperature: 0°–50° C (32°–112° F)
- Relative humidity (non-condensing): 10%–90%

Certifications

- UL and cUL listed (UL 508 and UL 924)
- LonMark 3.3 Certified

HOW TO ORDER

ENCLOSURES

Catalog numbering system : **LXEN [size] [trim]**

Size	Trim
4 = 4 Relay Enclosure	F = Flush Mount
8 = 8 Relay Enclosure	S = Surface Mount

16 = 16 Relay Enclosure

32 = 32 Relay Enclosure

48 = 48 Relay Enclosure

NOTE: LX4 relay panel available only in surface mount.

INTERIORS

Catalog numbering system: **LXIN [size] [Number Single Pole] [Number Double Pole]**

Size	Number Single Pole	Number Double Pole
4 = 4 Relay Enclosure	00 - 48 Number of Single Pole Relays	00 - 24 Number of Double Pole Relays
8 = 8 Relay Interior		
16 = 16 Relay Interior		
32 = 32 Relay Interior		
48 = 48 Relay Interior		

Example:

32 Relay Interior with 4 Single Pole Relays
and 4 Double Pole Relays: LXIN32 04 04



Building Automation, Inc.

Hubbell Building Automation, Inc.
9601 Dessau Road | Building One | Austin, Texas 78754
{512} 450-1100 | {512} 450-1215 fax
hubbell-automation.com