



Installation and Operation Instructions

MP Series

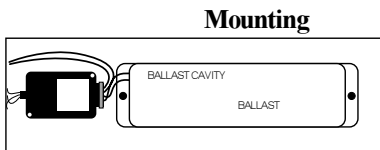
MP Power Pack A Series

- Will power multiple sensors and slave relays (see Load Chart below)
- Mounts to standard 4" x 4" junction box externally through knockout with 1/2" EMT threaded nipple
- Fits inside junction box or standard fluorescent fixture ballast cavity
- Mounts with 6/32 x 1.25" pan head screws
- Single high voltage input (120, 230, 277 or 347AC)
- 24 VDC (nominal) Class 2 output

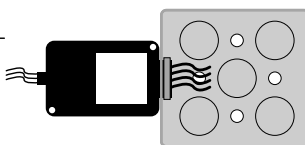
"Complies with requirements for use in a compartment handling conditioned air (plenum)"



Mounts inside junction box



Mounts inside fixture



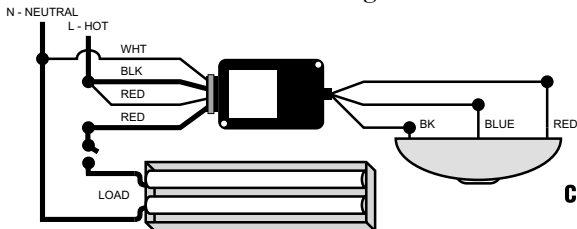
Mounts outside junction box

Mounting

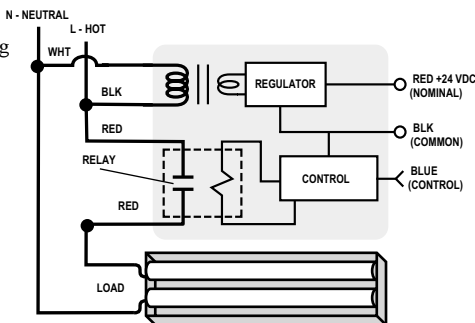
Note: Always turn power off and lock out during unit installation. Always install unit in accordance with applicable national and local electrical codes.

Sensor Wiring

Single Load,
Single Sensor



MP Series
Internal Wiring



LOAD CHART	
Omni Sensors	Slaves
1	0
2	0
3	0
1	1
2	1
1	2