



Power Packs and Relays

Universal Voltage Power Pack with Manual ON/OFF Control

KEY FEATURES

- Manual ON/OFF support
- Universal voltage – 100 to 277VAC, 50/60Hz
- Automatic voltage detection
- Capable of switching up to 20 Amps of electrical load
- Regulated 24VDC current, 150mA output, short circuit protected
- Zero Arc Point Switching
- Plenum rated
- Mounts inside or outside junction box, or inside fluorescent ballast cavity
- UL and cUL Listed
- 5 year warranty



OVERVIEW

Hubbell Building Automation’s Universal Voltage Power Pack with Manual ON/OFF control provides a unique solution for lighting applications where users require both manual ON/OFF control as well as automatic OFF control. The power pack automatically detects input line voltage from 100-277VAC, eliminating the need for voltage-specific power packs or multi-voltage power packs that require special wiring based on the input voltage. Capable of switching 20A loads, the power pack also features Zero Arc Point Switching technology that minimizes relay contact wear associated with high inrush loads. The power pack’s manual ON/OFF input connects to a low voltage momentary switch and enables users to manually control lighting in an area that is also controlled by an occupancy sensor. A single power pack can be used to supply power to up to four sensors, and can also be used to supply power to Hubbell Building Automation’s MPSA auxiliary relay for multiple circuits. The power pack is plenum rated and mounts easily inside or outside a junction box.

FEATURES and BENEFITS

Features

Manual ON/OFF support

Benefits

- Users can control lighting in areas that are also controlled by occupancy sensors.

Universal Voltage – 100 to 277VAC, 50/60Hz

- No guessing which voltage-specific power pack to use for your applications – one power pack for all of your 100-277VAC needs.

Automatic voltage detection

- Eliminates wiring errors commonly experienced with multi-voltage power packs. The Universal Voltage Power Pack is wired the same for all applications and automatically detects the line voltage being used.

Zero Arc Point Switching

- Minimizes relay contact wear associated with high inrush loads.

Plenum rated

- Complies with requirements for use in a compartment handling conditioned air (plenum).

SPECIFICATIONS

Power Requirements	<ul style="list-style-type: none">• 100-277VAC, 50/60Hz
Output	<ul style="list-style-type: none">• 24VDC, 150mA nominal, isolated and regulated
Relay Contact Rating	<ul style="list-style-type: none">• 20A, 120VAC Incandescent• 20A, 120 or 277VAC Ballast• 1HP, 120 or 277VAC Motor Load
Construction	<ul style="list-style-type: none">• High impact, UL 94-5V plastic
Plenum Rated	<ul style="list-style-type: none">• Complies with requirements for use in a compartment handling conditioned air (plenum)• Plenum rated for external junction box mounting
Operating environment	<ul style="list-style-type: none">• Indoor use only• Operating temperature: 32°– 104°F (0°– 40°C)• 0% to 95% relative humidity, non-condensing
Size	<ul style="list-style-type: none">• 3.69”L x 2.33”W x 1.36”H
Color	<ul style="list-style-type: none">• Black
Certifications	<ul style="list-style-type: none">• UL and cUL Listed
Warranty	<ul style="list-style-type: none">• 5 years

HOW TO ORDER

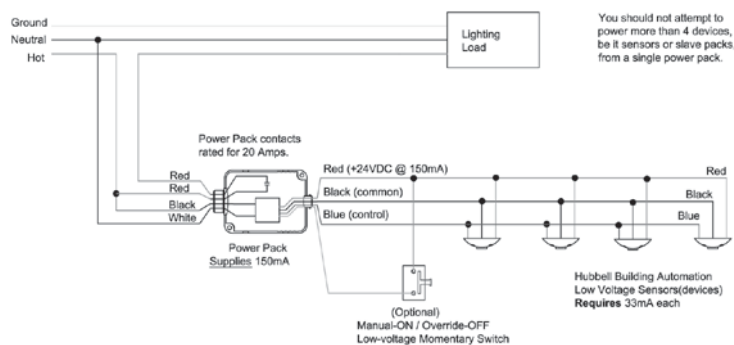
Catalog Number

UVPPM

Description

Universal Voltage Power Pack with Manual ON/OFF Control, 100-277VAC, 50/60Hz

WIRING DIAGRAM



Hubbell Building Automation, Inc.

Hubbell Building Automation, Inc.
9601 Dessau Road | Building One | Austin, Texas 78754
{512} 450-1100 | {512} 450-1215 fax
hubbell-automation.com