



## Wall Switch Occupancy Sensors

*LightHawk™ Ultrasonic Dual Circuit*

*Wall Switch Sensor featuring IntelliDAPT®*

### KEY FEATURES

- All-digital ultrasonic (US) sensor
- IntelliDAPT self-adaptive technology—no manual adjustment required
- 2 relays for two-level switching or dual-circuit control
- Auto-on and manual-on operating modes (depending on model)
- 400 square-foot, 180° coverage area
- Built-in photocell with SuperSaver™ mode
- Dual 120/277 VAC operation
- No minimum load requirement
- Zero Arc Point Switching
- ETL, UL, and cUL listed
- 5-year warranty



LHUSD2



LHUSD0

### OVERVIEW

LHUSD sensors use ultrasonic (US) technology for unequaled occupancy detection and false trip immunity, providing improved accuracy. The sensors, designed for dual-level lighting applications, possess 2 primary circuits (each with independent switching).

LHUSD sensors feature Hubbell Building Automation’s patented IntelliDAPT technology, which makes all the sensor adjustment decisions automatically. Throughout the product’s lifespan, smart software analyzes the controlled area and makes digital adjustments to sensitivity and timer settings. Occupancy sensors with IntelliDAPT provide a maintenance-free “Install and Forget” operation. With selectable operating modes—automatic ON/OFF or manual ON/automatic OFF—and a built-in photosensor for automatic daylight harvesting, LHUSD sensors are the most capable choice in today’s market place.

### FEATURES and BENEFITS

#### Features

IntelliDAPT technology

All-digital ultrasonic (US) sensor

2 relays for either two-level switching or dual-load control

Auto-on and manual-on operating modes (depending on model)

Tamper-proof automatic-only version available

Built-in photocell with optional SuperSaver mode

#### Benefits

- Sensor automatically determines the ideal setting for an area
- No manual sensitivity or timer adjustments required
- Provides a maintenance-free “Install and Forget” operation
- Superior US minor-motion detection
- Controls 2 circuits (120 VAC and/or 277 VAC) independently
- Provides auto-on/auto-off and manual-on/auto-off operations
- Automatically turns lighting on and off without requiring you to push a button
- Increases energy savings by preventing lights from turning on when there is sufficient natural light
- Optional SuperSaver mode—turns lights off during periods of occupancy if there is enough natural light to illuminate the area

## SPECIFICATIONS

IntelliDAPT technology	<ul style="list-style-type: none"> <li>• Self-adjusting timer</li> <li>• Self-adjusting ultrasonic (US) sensitivity</li> <li>• Automatic false-on/false-off corrections</li> <li>• No manual adjustments required</li> </ul>
Timer timeout	<ul style="list-style-type: none"> <li>• Auto mode: 4–30 minutes; self-adjusts based on occupancy</li> <li>• Fixed mode: 4, 8, 15, and 30 minutes</li> <li>• Test mode: 5 seconds</li> </ul>
Ultrasonic (US) output	<ul style="list-style-type: none"> <li>• 40kHz output</li> </ul>
Photocell	<ul style="list-style-type: none"> <li>• Natural light override range: 10–500 foot-candles</li> </ul>
Coverage	<ul style="list-style-type: none"> <li>• 400 square-foot, 180° coverage area</li> </ul>
Power requirements	<ul style="list-style-type: none"> <li>• 120/277 VAC; 50/60Hz</li> </ul>
Electrical ratings	<ul style="list-style-type: none"> <li>• 120VAC: 800W Incandescent; 1,000W Fluorescent; 1/6 HP</li> <li>• 277VAC: 1,800W Fluorescent; 1/6 HP</li> </ul>
Load requirements	<ul style="list-style-type: none"> <li>• None</li> </ul>
Operating environment	<ul style="list-style-type: none"> <li>• Indoor use only</li> <li>• Operating temperature: 32°–104° F (0°–40° C)</li> <li>• Relative humidity (non-condensing): 0–95%</li> </ul>
Construction	<ul style="list-style-type: none"> <li>• Casing—high-impact injection-molded plastic (UL-94-5V)</li> <li>• Color-coded leads are 6” long</li> </ul>
Size and weight	<ul style="list-style-type: none"> <li>• Size: 4.2” x 1.8” x 2.1”; .37” extension</li> <li>• Weight: 2.9 oz</li> </ul>
Color	<ul style="list-style-type: none"> <li>• White; Ivory; Light Almond; Gray; Black</li> </ul>
Mounting	<ul style="list-style-type: none"> <li>• Single-gang NEMA-style switch box (average switch box)</li> <li>• Decorator-style wall plate not included</li> </ul>
Certifications	<ul style="list-style-type: none"> <li>• ETL, UL, and cUL listed</li> </ul>
Warranty	<ul style="list-style-type: none"> <li>• 5 years</li> </ul>

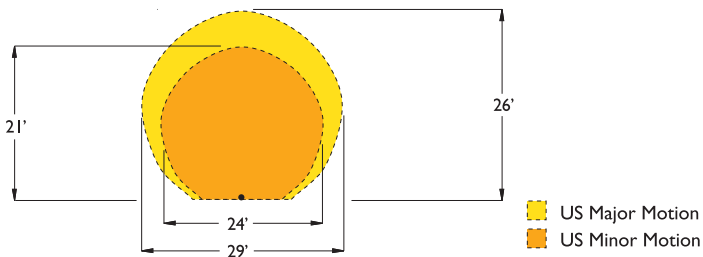
## HOW TO ORDER

Catalog Number	Description
LHUSD2*	Ultrasonic Dual Circuit Wall Switch Sensor with IntelliDAPT and Automatic/Manual Control, 120/277VAC
LHUSD0*	Ultrasonic Dual Circuit Wall Switch Sensor with IntelliDAPT and Automatic Only Control, 120/277VAC

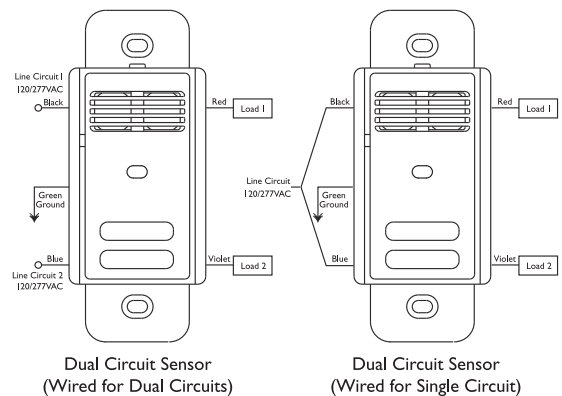
\* = W – White, I – Ivory, A – Light Almond, G – Gray, B – Black

### RANGE DIAGRAM

\*Refer to Application Guide.



### WIRING DIAGRAM



**Building Automation, Inc.**

**Hubbell Building Automation, Inc.**  
 9601 Dessau Road | Building One | Austin, Texas 78754  
 {512} 450-1100 | {512} 450-1215 fax  
[hubbell-automation.com](http://hubbell-automation.com)